



UK

DESCRIPTION

The ESL120AE is a modern integrated cooker hood for fitting in top cabinets or stainless steel cooker canopies, for example.

The cooker hood features a built-in control panel on the front.

The ESL120AE can be used for central ventilation systems. It has a built-in motor-controlled damper that can be adjusted for basic or forced ventilation.

The damper is activated through the control panel and the "forced ventilation" indicator lamp lights up. The damper automatically returns to basic ventilation after max. 60 minutes.

INSTALLATION

The ducting of exhaust air must be carried out in accordance with the applicable regulations from the relevant authority. The exhaust air must not be connected to any duct that is used to extract flue gases from any equipment fuelled by energy other than electricity such as gas or oil fires, stoves and the like.

FITTING, fig. 2.

Cut a hole measuring 298 x 451 mm in the base of the top cabinet. Use the screws provided to fit the cooker hood. Then fit the appropriate length of spiro duct. Affix it tightly and appropriately to the cooker hood spigot. The distance between the stove and the cooker hood must be at least 50 cm. For gas cookers, this distance must be at least 65 cm.

Electrical installation

The ESL cooker hood is supplied with a plug for connection to a 230V ~ outlet.

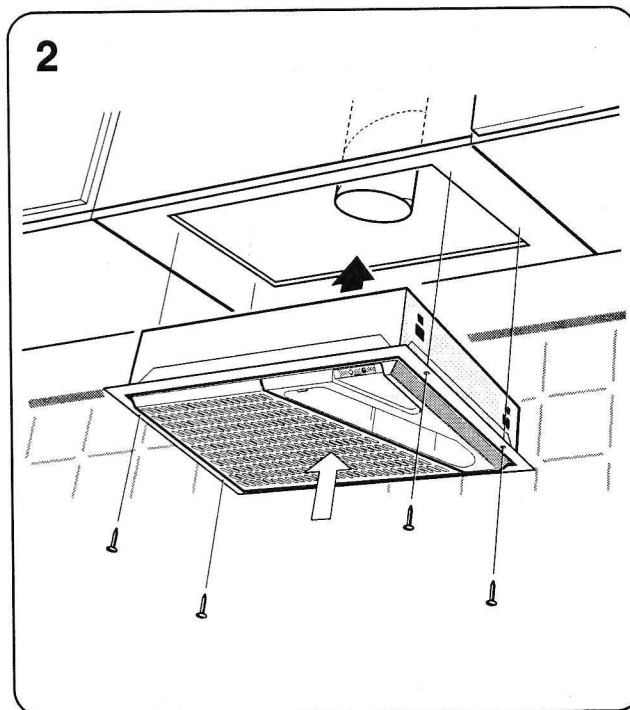
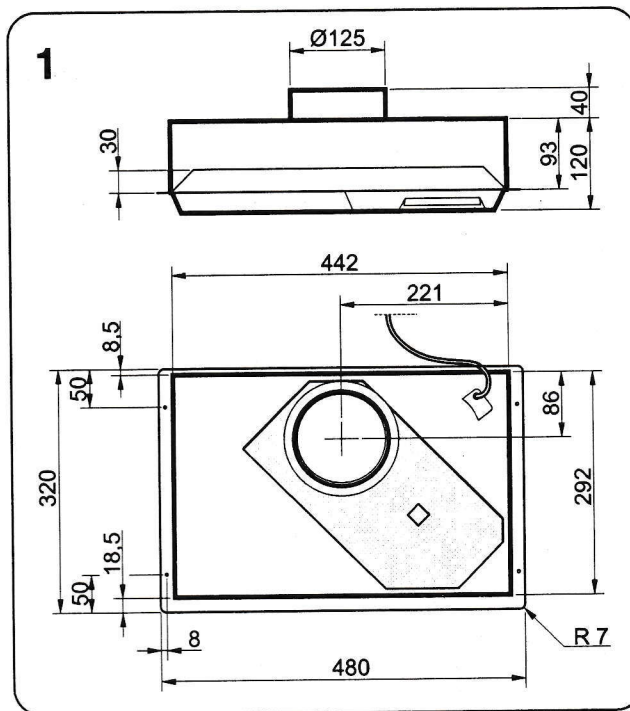
Maximum fuse: 13A

Initial adjustment of the airflow

On delivery, the damper in the cooker hood is set to:

Basic ventilation	20 l/s (72 m ³ /h) at 120 Pa Damper setting B 4.3 Noise pressure level = 27 dB(A)
Forced ventilation	40 l/s (144 m ³ /h) at 100 Pa Damper setting A 3.7 Noise pressure level = 32 dB(A)

To fine tune the airflow settings, follow the instructions in the section entitled "Damper settings"





UK

HOW TO USE THE COOKER HOOD

Function, fig. 3.

C - Turn light on/off

D - Switch between basic and forced ventilation

E - Green operation light to indicate forced ventilation

When cooking, open the damper. To close the damper, press button **D** again. The damper will close automatically after 60 minutes.

Do not flambé food under the cooker hood.

Make sure that there is sufficient air supply to the room when you are using the cooker hood at the same time as equipment that uses energy other than electricity e.g. gas cookers, gas ovens, stoves and the like.

MAINTENANCE

Cleaning, fig. 4.

Wipe the cooker hood with a damp cloth with a little detergent on it.

For normal use, you should clean the filter once a month.

Press the snap locks on the rear edge of the filter **fig. 4a** to remove the filter cassette. Loosen the filter holder **fig. 4b** to remove the grease filter from the cassette. Soak the grease filter and the filter cassette in a solution of hot water and detergent. You can also wash the filter cassette (including the filter) in a dish-washer.

Clean the interior of the cooker hood a couple of times a year.

Wipe down the interior using a wet cloth and detergent. Replace the filter cassette. Push it up until it clicks into place.

Make sure that the filter cassette is firmly locked in place by all four fittings.

Failure to clean the cooker hood regularly as described above will increase the risk of fire.

Replacing the low-energy light, fig 5

Turn the snap lock in the direction indicated by the arrow to loosen the glass panel over the light. You can now replace the light. (Fluorescent light, socket G 23)

IF THE COOKER HOOD FAILS

Service

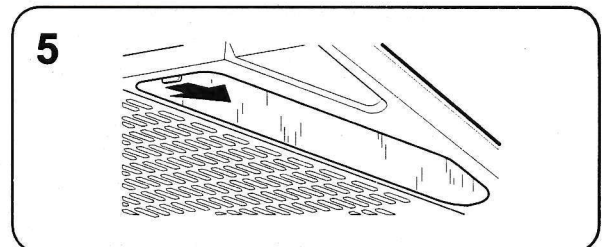
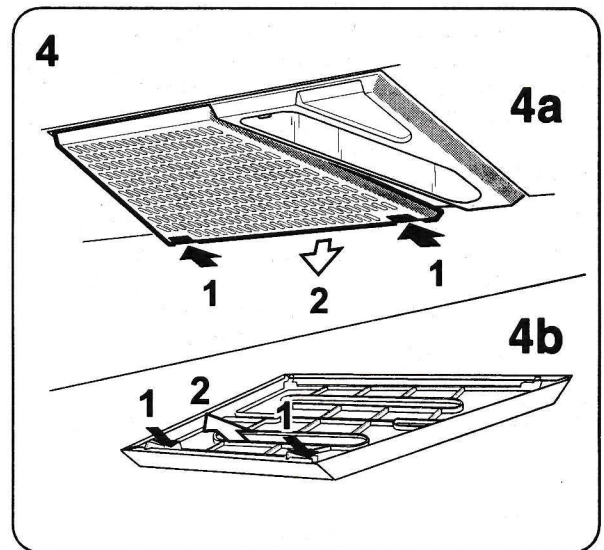
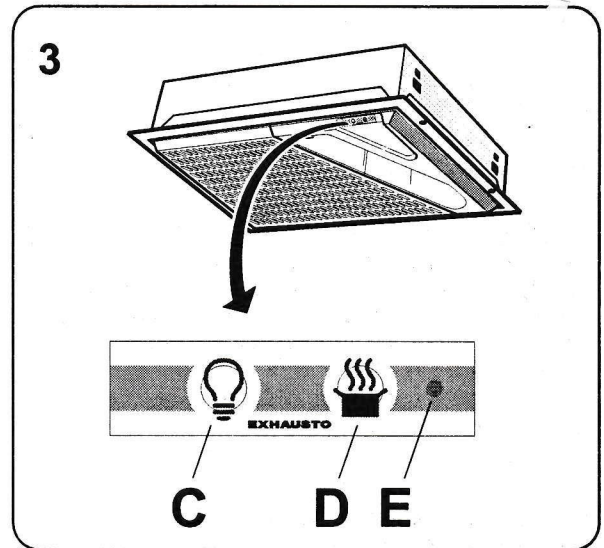
Check the fuse. Test the light and all settings to check whether anything is not working. Contact, see page 24. The helpdesk staff will help you to identify the fault and give you the details of the nearest service centre to ensure you receive the best and fastest service.

TECHNICAL SPECIFICATIONS

Dimensions: see **fig. 1**.

Electrical connection: 230V ~ earthed

Lighting: Fluorescent light 11 W, socket G 23.





UK

DAMPER SETTING

Measurement socket, fig. 6

The measurement socket (marked M) is used to take the measurement pressure (Pm). Use the measurement pressure (Pm) and the position of the damper to check the airflow on the initial adjustment diagrams, where B1-B5 refers to basic ventilation and A1-A5 refers to forced ventilation.

If you wish to change the airflow, use the diagrams to gauge a new damper setting and then adjust the position of the damper as described below.

Damper adjustment, fig. 7

Adjustment of basic ventilation, B.

Set the cooker hood to forced operation. To alter the basic ventilation, loosen the screw (Torx size 10) and move stop G to the position required. Retighten the screw. Measure the pressure (Pm) and check that the desired basic ventilation level has been achieved.

Adjustment of forced ventilation, A.

Set the cooker hood to basic ventilation. To alter the forced ventilation, loosen the screw and move stop F to the position required. Retighten the screw. Measure the pressure (Pm) and check that the desired forced ventilation level has been achieved.

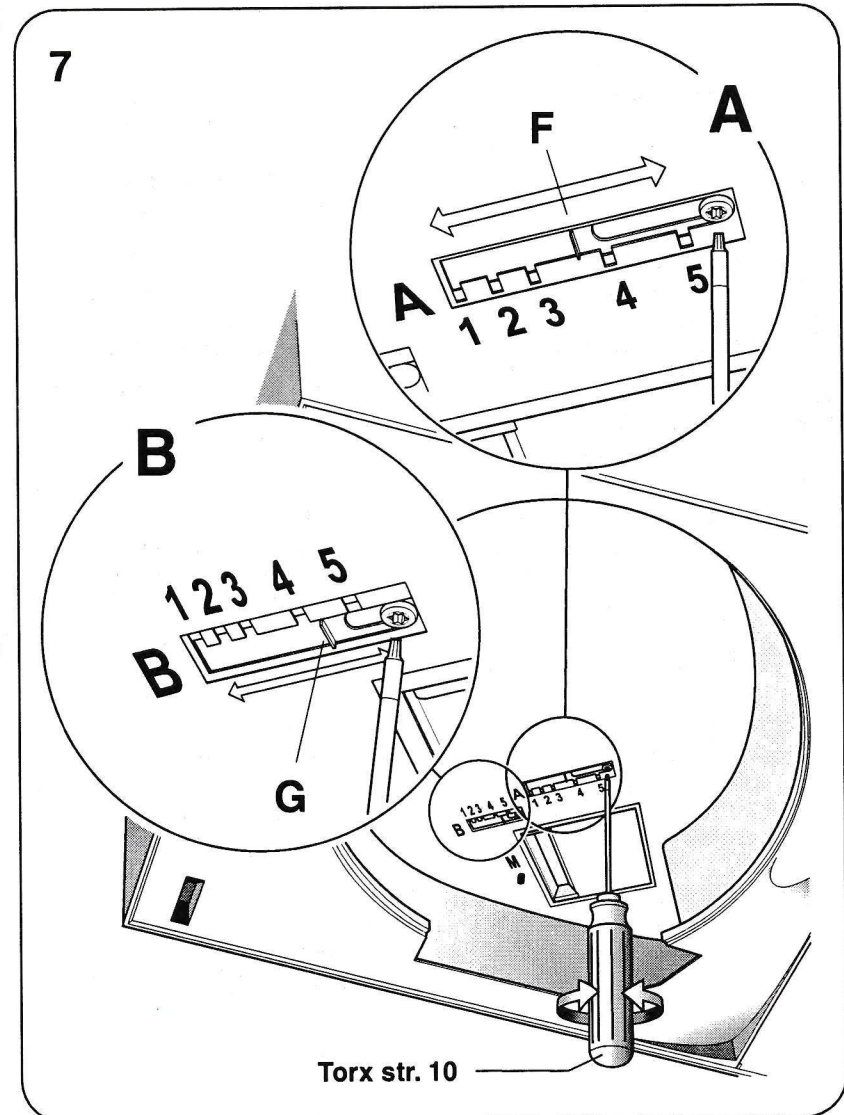
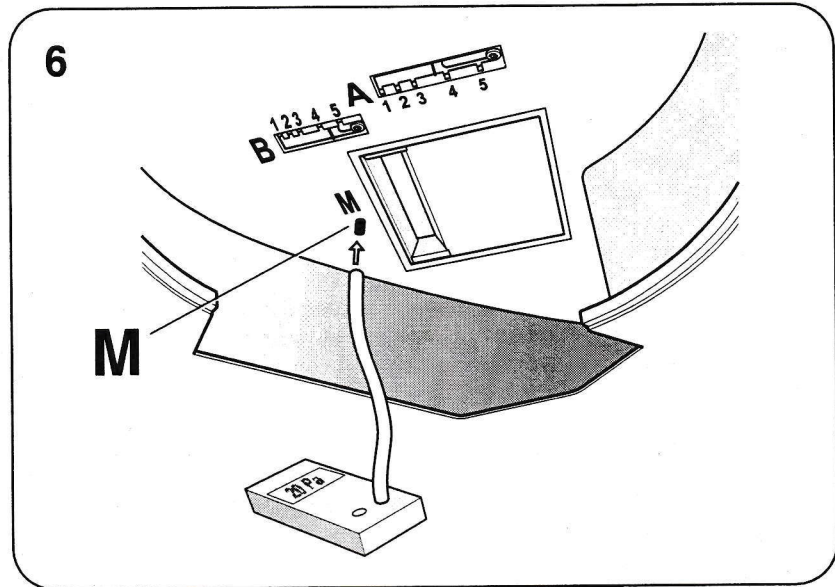
Factory setting

On delivery, the damper in the cooker hood is set to:

Basic ventilation 20 l/s (72 m³/h) at 120 Pa
 Damper setting B 4.3
 Noise pressure level = 27 dB(A)

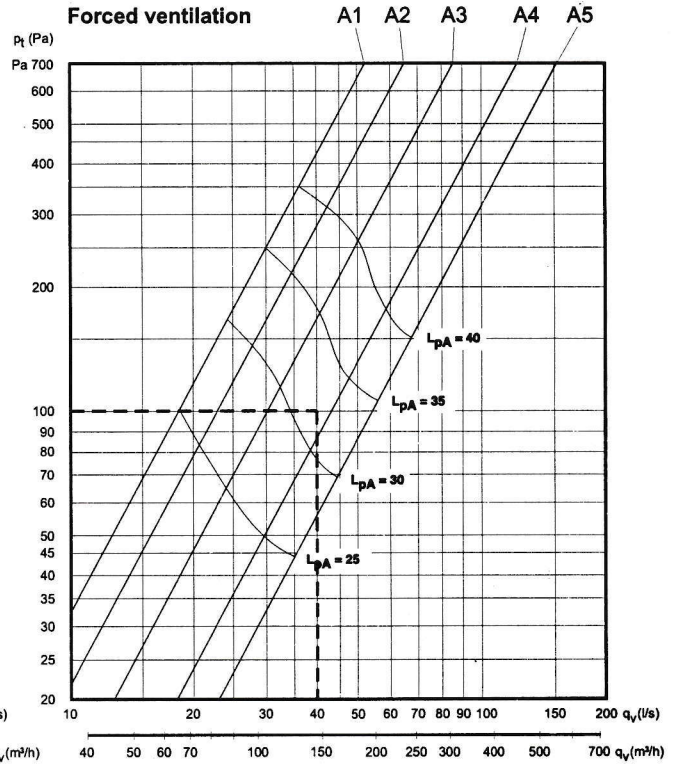
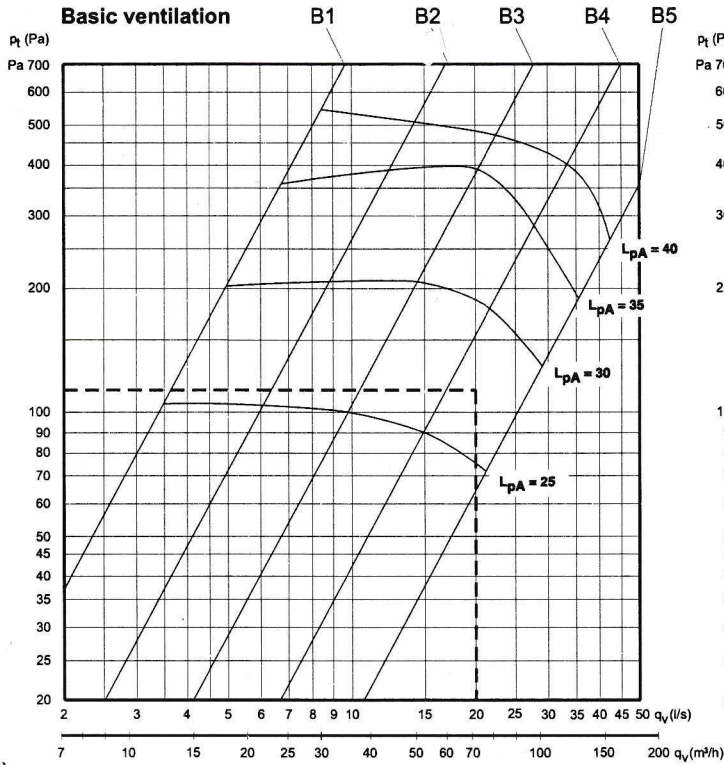
Forced ventilation 40 l/s (144 m³/h) at 100 Pa
 Damper setting A 3.7
 Noise pressure level = 32 dB(A)

The factory settings are marked on the diagrams as an example.





Dimensioning diagram



Adjustment diagram

